

The  
Cincinnati Mine  
Machinery Co.

**THE CINCINNATI MINE MACHINERY Co.**

# 19045 CUTTERCHAIN - 9 POSITION

**1-800-543-4607**

**2973 SPRING GROVE AVENUE**

**CINCINNATI, OHIO 45225-2190**

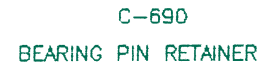
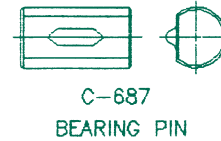
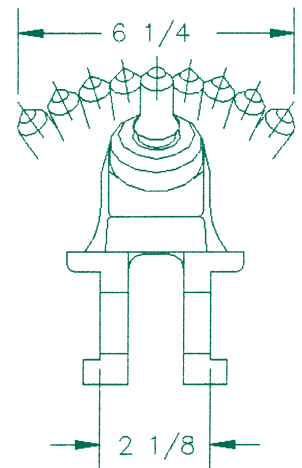
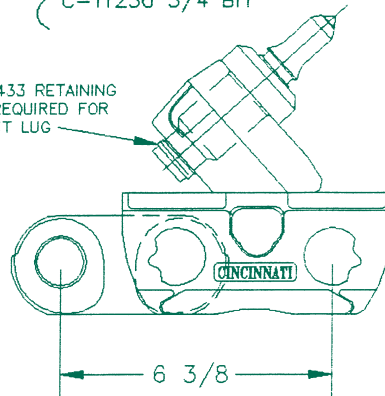
**513-541-6303 • FAX 513-541-6095**

*The Cincinnati Mine Machinery Co. is recognised as the industry leader for cutterchains and bars. Cincinnati has the only complete line of cutterchains and bars to meet your specific application. Cincinnati's cutterchains are designed to provide the highest cutting rates while yielding the least amount of dust and fines*



BIT LUG { C-11247 13/16 LONG SHANK BIT  
C-11249 13/16 SHORT SHANK BIT  
C-11250 3/4 BIT

2 C-11433 RETAINING RINGS REQUIRED FOR EACH BIT LUG



*For more information  
please contact your local  
sales representative:*

**JIM HARRIS • PIKEVILLE, KY**  
HOME 1-606-478-9851  
OFFICE 1-606-432-0015

**PHIL PAGE • MADISONVILLE, KY**  
HOME 1-502-322-8424  
OFFICE 1-502-825-0269

**PAUL SAUNDERS • CHAMPION, PA**  
HOME 1-614-642-3581  
OFFICE 1-412-455-2902

**NATHAN HICKMAN • BECKLEY, WV**  
HOME 1-540-928-1025  
OFFICE 1-304-252-5346

PART NO.	KERF	POSITION
<b>C-13886</b>	<b>0"</b>	<b>CENTER</b>
<b>C-13885-U</b>	<b>3/4"</b>	<b>FIRST INTERMEDIATE UP</b>
<b>C-13885-D</b>	<b>3/4"</b>	<b>FIRST INTERMEDIATE DOWN</b>
<b>C-13884-U</b>	<b>1-1/2"</b>	<b>SECOND INTERMEDIATE UP</b>
<b>C-13884-D</b>	<b>1-1/2"</b>	<b>SECOND INTERMEDIATE DOWN</b>
<b>C-13883-U</b>	<b>2-1/4"</b>	<b>THIRD INTERMEDIATE UP</b>
<b>C-13883-D</b>	<b>2-1/4"</b>	<b>THIRD INTERMEDIATE DOWN</b>
<b>C-11419-U</b>	<b>3-1/8"</b>	<b>EXTREME UP</b>
<b>C-11419-D</b>	<b>3-1/8"</b>	<b>EXTREME DOWN</b>

**AVAILABLE MAINTENANCE TOOLS:**  
**C-11342 RETAINING RING PLIERS**  
**C-5303 BIT SHANK KNOCK-OUT TOOL**

**The  
Cincinnati Mine  
Machinery Co.**

**THE CINCINNATI MINE MACHINERY Co.**

# 190 CUTTERCHAIN - 10 POSITION

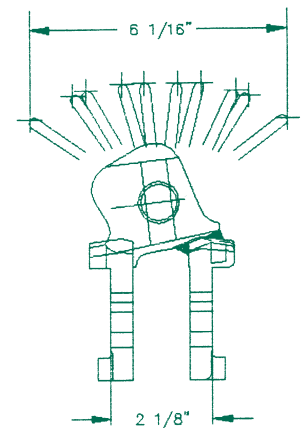
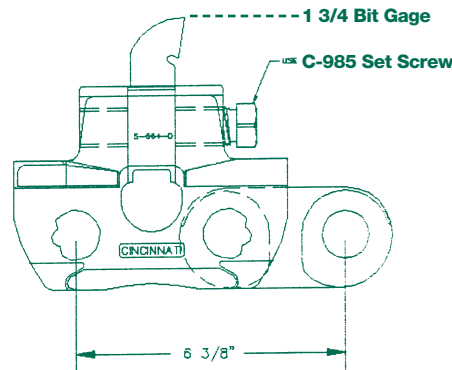
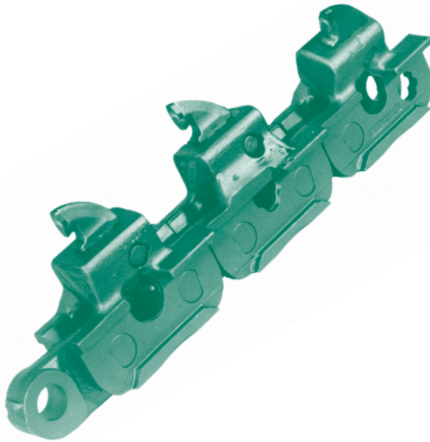
**1-800-543-4607**

**2973 SPRING GROVE AVENUE**

**CINCINNATI, OHIO 45225-2190**

**513-541-6303 • FAX 513-541-6095**

*The Cincinnati Mine Machinery Co. is recognised as the industry leader for cutterchains and bars. Cincinnati has the only complete line of cutterchains, bars and sprockets to meet your specific application. Cincinnati's cutterchains are designed to provide the highest cutting rates while yielding the least amount of dust and fines*



CONNECTOR  
M-154-D



BEARING PIN  
C-687



BEARING PIN RETAINER  
C-690

*For more information  
please contact your local  
sales representative:*

**JIM HARRIS • PIKEVILLE, KY**  
HOME 1-606-478-9851  
OFFICE 1-606-432-0015

**PHIL PAGE • MADISONVILLE, KY**  
HOME 1-502-322-8424  
OFFICE 1-502-825-0269

**PAUL SAUNDERS • CHAMPION, PA**  
HOME 1-614-642-3581  
OFFICE 1-412-455-2902

**NATHAN HICKMAN • BECKLEY, WV**  
HOME 1-540-928-1025  
OFFICE 1-304-252-5346

PART NO.	KERF	POSITION
<b>S-664-U</b>	<b>3/8"</b>	<b>CENTER</b>
<b>S-664-D</b>	<b>3/8"</b>	<b>CENTER</b>
<b>S-663-U</b>	<b>1"</b>	<b>FIRST INTERMEDIATE UP</b>
<b>S-663-D</b>	<b>1"</b>	<b>FIRST INTERMEDIATE DOWN</b>
<b>S-662-U</b>	<b>1-21/32"</b>	<b>SECOND INTERMEDIATE UP</b>
<b>S-662-D</b>	<b>1-21/32"</b>	<b>SECOND INTERMEDIATE DOWN</b>
<b>S-657-U</b>	<b>2-9/32"</b>	<b>THIRD INTERMEDIATE UP</b>
<b>S-657-D</b>	<b>2-9/32"</b>	<b>THIRD INTERMEDIATE DOWN</b>
<b>S-660-U</b>	<b>3-1/32"</b>	<b>EXTREME UP</b>
<b>S-660-D</b>	<b>3-1/32"</b>	<b>EXTREME DOWN</b>

**The  
Cincinnati Mine  
Machinery Co.**

**THE CINCINNATI MINE MACHINERY Co.**

# 63548 CUTTERCHAIN - 11 POSITION

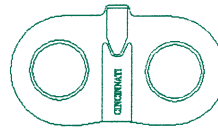
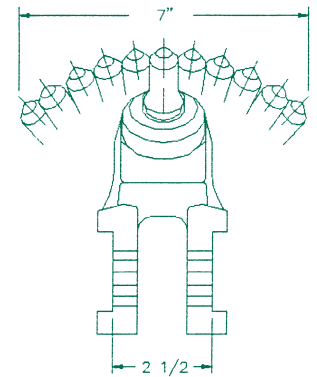
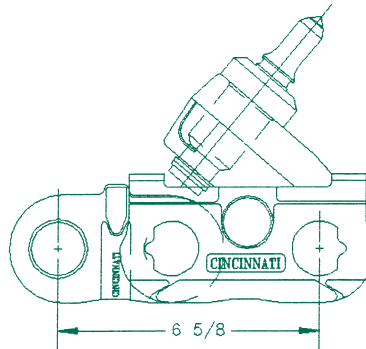
**1-800-543-4607**

**2973 SPRING GROVE AVENUE**

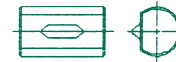
**CINCINNATI, OHIO 45225-2190**

**513-541-6303 • FAX 513-541-6095**

*The Cincinnati Mine Machinery Co. is recognised as the industry leader for cutterchains and bars. Cincinnati has the only complete line of cutterchains and bars to meet your specific application. Cincinnati's cutterchains are designed to provide the highest cutting rates while yielding the least amount of dust and fines*



CONNECTOR  
C-12115



C-2742



C-776

*For more information  
please contact your local  
sales representative:*

**JIM HARRIS • PIKEVILLE, KY**  
HOME 1-606-478-9851  
OFFICE 1-606-432-0015

**PHIL PAGE • MADISONVILLE, KY**  
HOME 1-502-322-8424  
OFFICE 1-502-825-0269

**PAUL SAUNDERS • CHAMPION, PA**  
HOME 1-614-642-3581  
OFFICE 1-412-455-2902

**NATHAN HICKMAN • BECKLEY, WV**  
HOME 1-540-928-1025  
OFFICE 1-304-252-5346

PART NO.	KERF	POSITION
<b>C-11279</b>	<b>0"</b>	<b>CENTER</b>
<b>C-11278-U</b>	<b>3/4"</b>	<b>FIRST INTERMEDIATE UP</b>
<b>C-11278-D</b>	<b>3/4"</b>	<b>FIRST INTERMEDIATE DOWN</b>
<b>C-11277-U</b>	<b>1-1/2"</b>	<b>SECOND INTERMEDIATE UP</b>
<b>C-11277-D</b>	<b>1-1/2"</b>	<b>SECOND INTERMEDIATE DOWN</b>
<b>C-11276-U</b>	<b>2-1/4"</b>	<b>THIRD INTERMEDIATE UP</b>
<b>C-11276-D</b>	<b>2-1/4"</b>	<b>THIRD INTERMEDIATE DOWN</b>
<b>C-11275-U</b>	<b>3"</b>	<b>FOURTH INTERMEDIATE UP</b>
<b>C-11275-D</b>	<b>3"</b>	<b>FOURTH INTERMEDIATE DOWN</b>
<b>C-11274-U</b>	<b>3-1/2"</b>	<b>EXTREME UP</b>
<b>C-11274-D</b>	<b>3-1/2"</b>	<b>EXTREME DOWN</b>